

All stainless steel contact pressure gauges for special safety to DIN EN 837-1 with or without glycerine filling

Nominal size ND 100 and 160 mm
accuracy class 1,0

according to DIN EN 837-1(old DIN 160006)



Features

Solid front between measuring system and dial
Fulfills highest safety requirements to DIN 16006
Vibration free display and long service life
through glycerine filling
Ideal for hard conditions
High reliability on a longterm basis

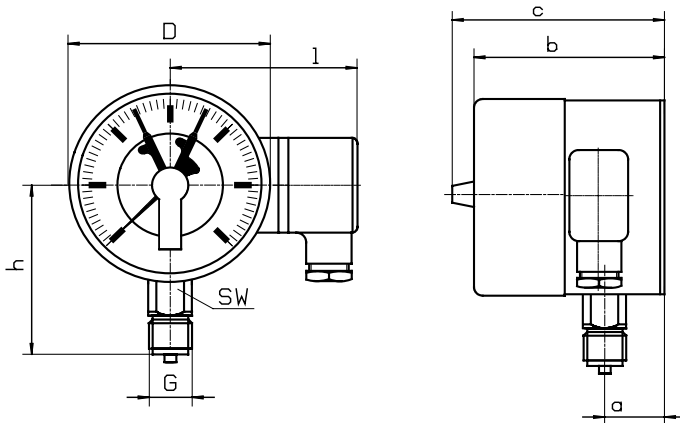
Application

Chemical and petrochemical industry
Foodstoffs and beverages industry
Paper industry
Processing technology,
Machine and apparatus construction,

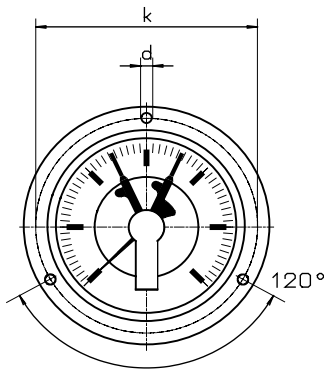
	with silicon oil filling			
Model and ND	KMR-36 100	KMR-36 160	KMR-36 100 F	KMR-36 160 F
Connection	bottom			
Ranges in bar	0...0,6, 1, 1,6, 2,5, 4, 6, 10, 16, 25, 40, 60, 100, 160, 250, 400, 600, 1.000, 1.600 -0,6 / 0, -1 / 0, -1 / +0,6, -1 / +1,5, -1 / +3, -1 / +5, -1 / +9, -1 / +15, -1 / +24			
Applications	Constant load : up to end of scale value Alternating load : up to 0,9 x end of scale value Short time : overload capacity 1,3 x			
Case	CrNi steel with blow - out back , solid front			
Bezel	CrNi steel bayonet ring			
Window	Polycarbonat			
Dial	Aluminium white, scale and imprint black			
Pointer	Aluminium , black			
Movement	CrNi steel			
Measuring element	CrNi steel Bourdon tube < 40 bar, helial tube > 60 bar			
Pressure Connection	SW 22, CrNi steel			
Connectionthread	G 1/2 B			
Protection	IP 54 to EN 60529 / IEC 529		IP 65 to EN 60529 / IEC 529	
Temperatures	Medium: -20°C bis 80°C, Ambient: -25°C bis 60°C			
Weight	0,9 kg	1,2 kg	2,2 kg	3,8 kg
Technische Informationen zu Magnetspring- und Induktivkontakten siehe Datenblätter M 950 und M 960				

Dimensions

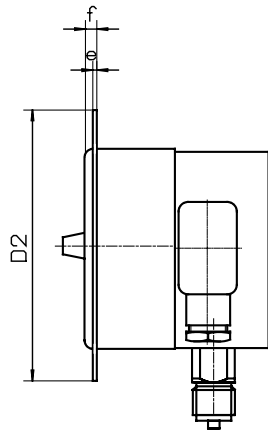
Connection bottom



Front flange



Front flange



Dimensions in mm														
Model	NG	D	a	b		h		D2	e	f	k	d	sw	G
KMR-36	100	101	?	?		86		132	2	6	116	5	22	G 1/2 B
KMR-36	160	160	?	?		118		196	3	8	178	5,6	22	G 1/2 B

Model	NG	c	l
KMR-30	160	107	118
KMR-35	160	107	118

Modelspecification

